

# PowerMix

Piezo/Magnetic Outboard Mixing Preamp



**FISHMAN**<sup>®</sup>

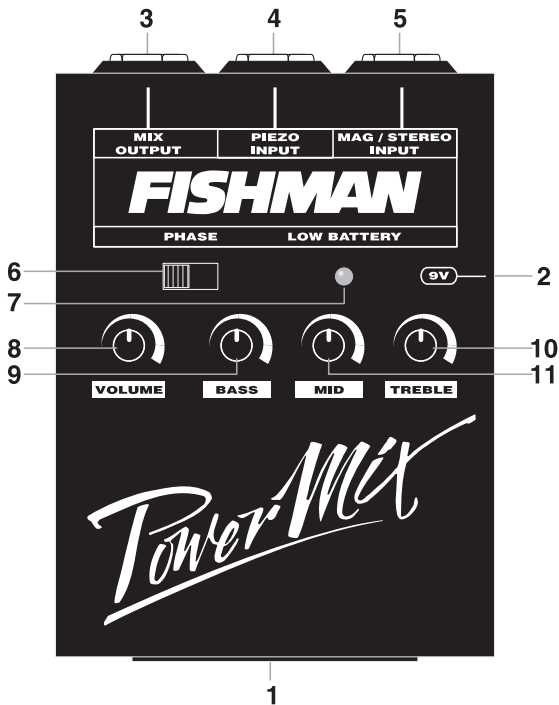
Thank you for purchasing this accessory for the Fishman Powerbridge System. We are confident that the PowerMix preamp will greatly enhance the performance and utility of your Powerbridge system. Please read these instructions carefully. If you have any questions or problems, you can contact **Fishman Customer Service** at **978-988-9665**.

The PowerMix answers the requests from musicians for a compact outboard preamp, dedicated to mixing and combining piezo and magnetic electric guitar pickups. Optimized piezo EQ, phase switch as well as output options provide the missing link for the piezo/magnetic pickup signal chain.

### Features

- 1 • Battery Compartment
- 2 • AC Adapter Input
- 3 • Mix Output Jack
- 4 • Piezo Input Jack
- 5 • Mag/Stereo Input Jack
- 6 • Piezo Phase Switch
- 7 • Low Battery LED
- 8 • Volume Control
- 9 • Bass Control
- 10 • Midrange control
- 11 • Treble Control

# Piezo/Magnetic Outboard Mixing Preamp

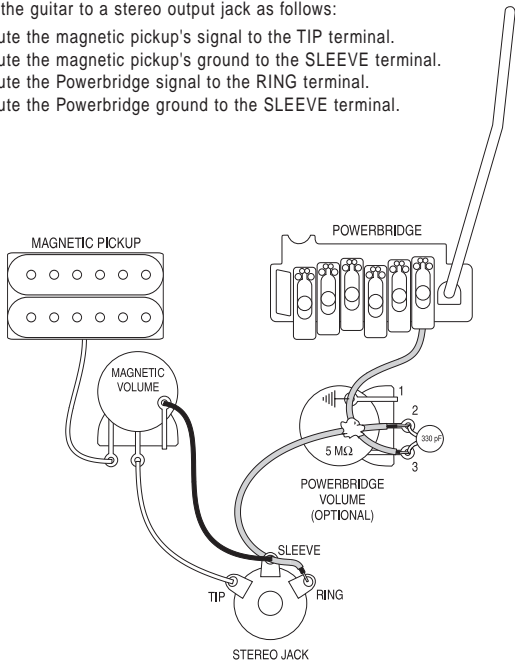


## Preparing Your Instrument

Before you begin using your PowerMix, you need to have the magnetic and Powerbridge pickups in place on your guitar.

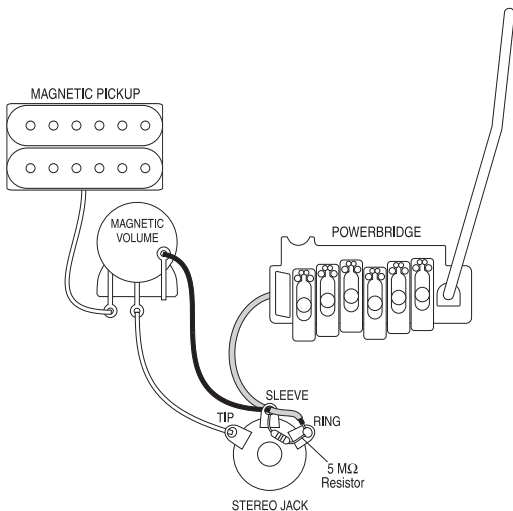
Wire the guitar to a stereo output jack as follows:

- 1-Route the magnetic pickup's signal to the TIP terminal.
- 2-Route the magnetic pickup's ground to the SLEEVE terminal.
- 3-Route the Powerbridge signal to the RING terminal.
- 4-Route the Powerbridge ground to the SLEEVE terminal.



## Piezo/Magnetic Outboard Mixing Preamp

**NOTE:** If you decide to wire the Powerbridge directly to the output jack (no instrument-mounted volume control for Powerbridge) you must wire a 5 Megohm resistor between the Ring and Sleeve terminals on the instrument's output jack.



## Functions

### **BATTERY POWER**

Make note of the following when using the PowerMix under battery power.

The PowerMix has no on/off switch. Under battery power, the PowerMix is turned on when the Mix Output jack is plugged in.

To avoid excessive battery drain, unplug the Mix Output jack when the unit is not in use (battery life is an estimated 150 hours, continuous use).

### **BATTERY COMPARTMENT**

To install the battery, move the latch on the battery compartment in the direction of the printed arrow and pull the latch toward you. Once the compartment pivots out, pop open the little hinged door at the end of the compartment and insert a fresh 9V alkaline battery. Note that the door will not close unless the correct battery polarity has been observed.

### **AC ADAPTER INPUT**

USE ONLY a FISHMAN model 910-R or a Roland PSA series Regulated AC Adapter. Using an unregulated power supply will void the warranty and may damage the unit.

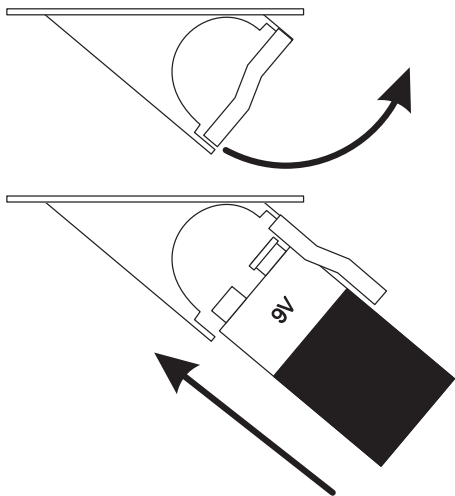
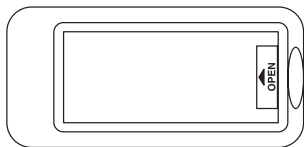
### **INPUT JACKS**

The two Input jacks are designed to accept separate magnetic and piezo signals via a single stereo cable or a stereo "Y" cable.

The Mag / Stereo Input jack is a dual function input that will operate in either stereo TRS, or mono TS modes. The Tip connection of this jack receives the magnetic pickup signal from your guitar. The Ring connection of this jack can receive the piezo signal from your Powerbridge.

The Piezo Input jack is a mono input that receives the piezo signal from your Powerbridge.

## Piezo/Magnetic Outboard Mixing Preamp



**NOTE:** If you route two signals through the Mag / Stereo Input jack and plug a third signal into the Piezo Input jack, the signal that normally appears at the Ring of the Mag / Stereo Input jack will be replaced (overridden) by the signal appearing at the Piezo Input jack.

### **MIX OUTPUT JACK**

A combination of buffered magnetic pickup and Powerbridge signals appear at this instrument level output.

### **PHASE SWITCH**

If you experience a volume loss when combining the Powerbridge with the guitar's magnetic pickups, flip this switch to correct the phase relationship between the two.

### **LOW BATTERY INDICATOR**

When plugging into the Mix Output jack, the Low battery LED will flash momentarily, indicating that the power is on. When the Low Battery LED stays on with the jack plugged in, it's time to change the battery.

### **VOLUME CONTROL**

This affects the piezo volume only.

### **BASS AND TREBLE CONTROLS**

These are shelving style boost/cut tone controls. These affect only the piezo pickup.

### **MIDRANGE CONTROL**

This is a resonance style boost/cut tone control. It affects only the piezo signal.

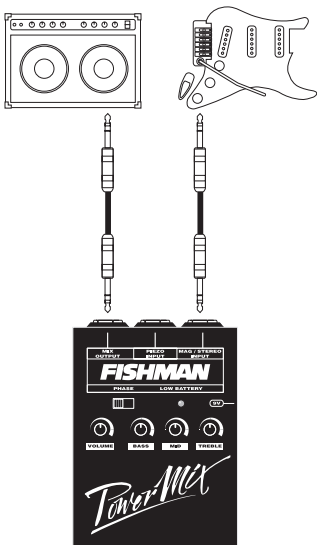


# Piezo/Magnetic Outboard Mixing Preamp

## Suggested Signal Routing Options

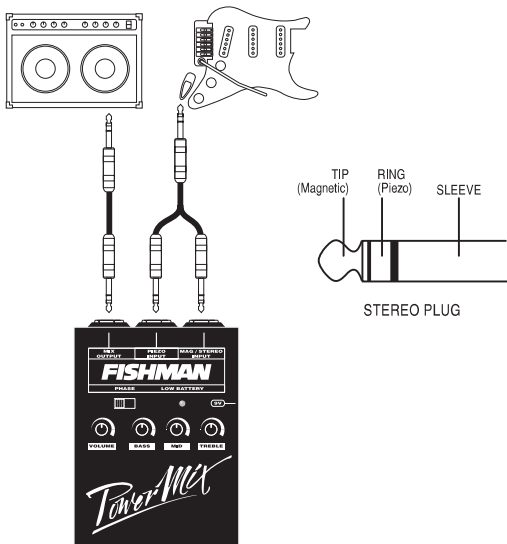
### STEREO CABLE OPERATION

Magnetic and piezo signals from your instrument are routed through a stereo instrument cable to the Mag/Stereo Input jack on the PowerMix. The Tip signal (magnetic) goes to the magnetic input stage. The Ring signal (piezo) goes to the piezo input stage. In this case, the Piezo Input jack is unused.



## STEREO Y CABLE OPERATION

Magnetic and piezo signals from your instrument are routed through a stereo Y cable. The magnetic pickup signal goes to the Mag/Stereo Input on the PowerMix. The piezo pickup signal goes to the Piezo Input on the PowerMix.



# Piezo/Magnetic Outboard Mixing Preamp

## Specifications

### Nominal Input Levels

Piezo	-10 dBV
Magnetic	-10 dBV
Magnetic Input Overload	+10 dBV

### Input Stage Impedance

Magnetic Input:	1 Megohm
piezo Input	560 kohm

### Nominal Output Level and Impedances

Mix Out	3.5 dBV (1 kOhm)
Output Overload	+11 dBV
Bass Control Range	$\pm 11$ dB @ 80 Hz $\pm 3$ dB @ 350 Hz
Middle Control Range	$\pm 11$ dB @ 1.1 kHz $\pm 3$ dB @ 1.3 kHz
Treble Control Range	$\pm 12$ dB @ 10 kHz $\pm 3$ dB @ 2.4 kHz
Overall THD	Less than .02%, -10 dBV input
Signal to Noise ratio 91 dB	(A weighted, referred to nominal -10 dbv Input)
Power Supply	9V alkaline battery (estimated 150 hours continuous use) Regulated Fishman 9V AC adapter (Fishman 910-R)
Current Draw	3.7 mA

All specifications subject to change without notice

## LIMITED WARRANTY

The FISHMAN POWERMIX is warranted to function for a period of One (1) Year from the date of purchase. If the unit fails to function properly within the warranty period, free repair and the option of replacement or refund in the event that FISHMAN is unable to make repair are FISHMAN's only obligations. This warranty does not cover any consequential damages or damage to the unit due to misuse, accident, or neglect. FISHMAN retains the right to make such determination on the basis of factory inspection. Products returned to FISHMAN for repair or replacement must be shipped in accordance with the Return Policy, as follows. This warranty remains valid only if repairs are performed by FISHMAN. This warranty gives you specific legal rights and you may also have other rights which may vary from state to state.

## RETURN POLICY

To return products to FISHMAN TRANSDUCERS, you must follow these steps...

1. Call FISHMAN TRANSDUCERS at 978-988-9199 for a Return Authorization Number ("RAN").
2. Enclose a copy of the original Bill of Sale as evidence of the date of purchase, with the product in its original packaging and a protective carton or mailer.
3. FISHMAN TRANSDUCERS' technicians will determine whether the item is covered by warranty or if it instead has been damaged by improper customer installation or other causes not related to defects in material or workmanship.
4. Warranty repairs or replacements will be sent automatically free of charge.
5. If FISHMAN TRANSDUCERS determines the item is not covered by warranty, we will notify you of the repair or replacement cost and wait for your authorization to proceed.



**FISHMAN TRANSDUCERS®**

340-D Fordham Road Wilmington MA 01887 USA

Phone 978-988-9199 • Fax 978-988-0770

[www.fishman.com](http://www.fishman.com)